



Laser marking systems  
**Romaco**  
Case study

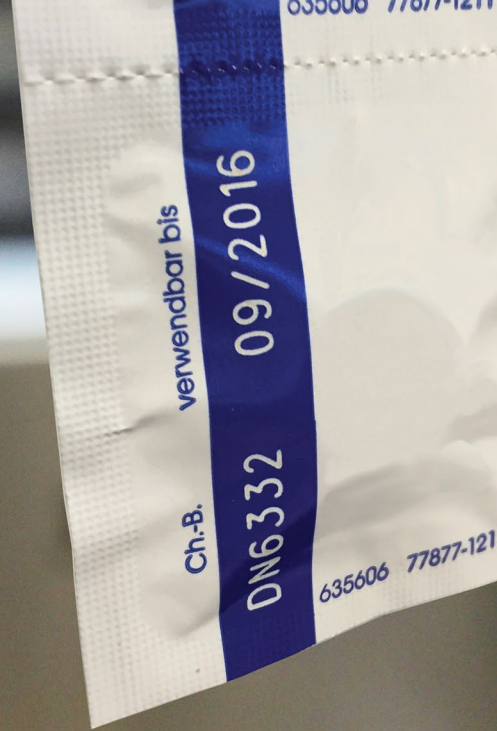
# Romaco relies on laser coding from Videojet

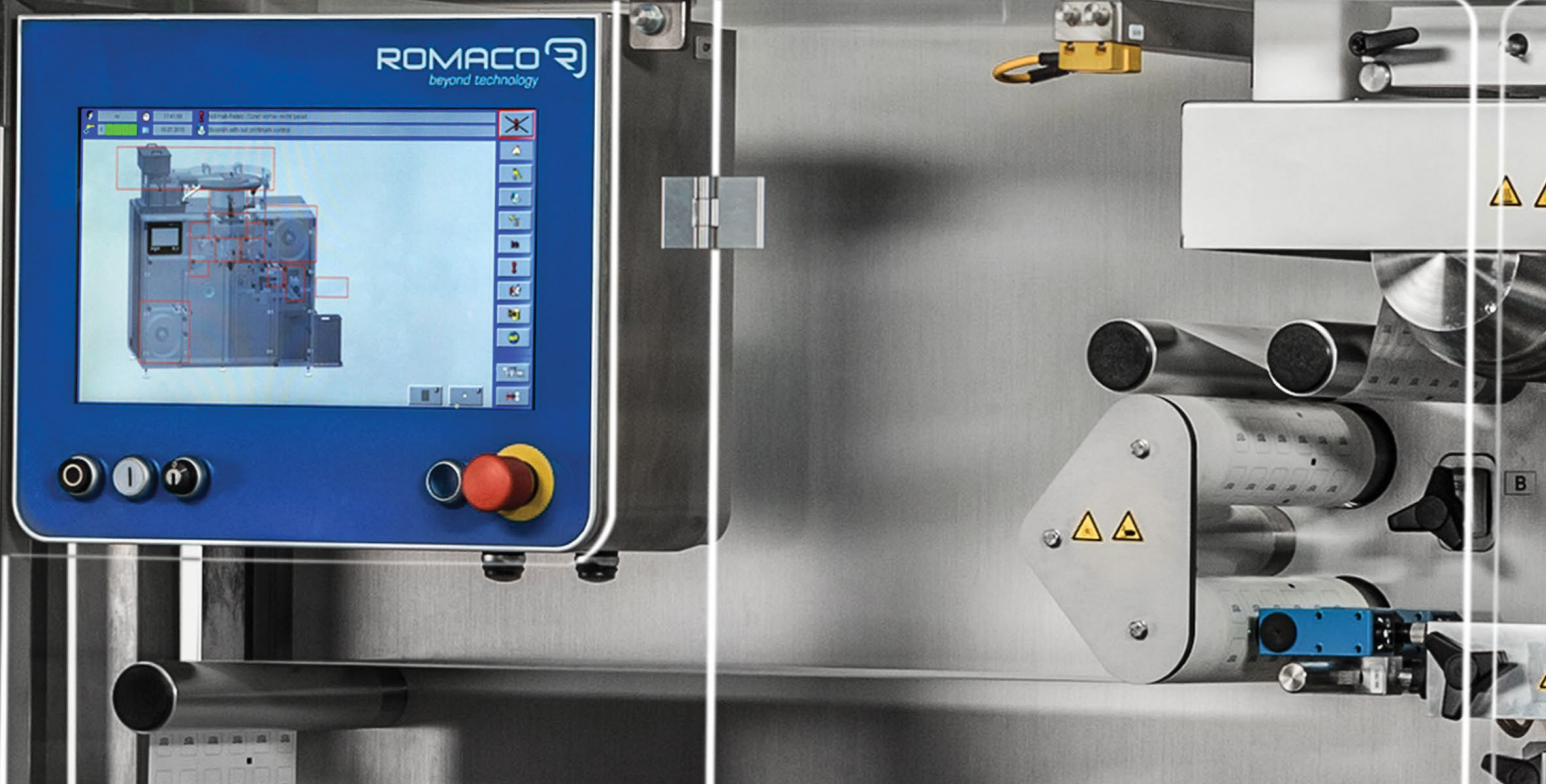
**Romaco Pharmatechnik GmbH is ranked among the leading providers for packaging and process technology across the world. The company develops, produces, and sells intelligent system solutions that are specifically tailored to the requirements of the pharmaceuticals industry. Offerings range from granulators, coating systems, and tablet presses to blister and heat seal machines, cartoners, and carton packers, through to liquid and powder dosing systems.**

When it comes to packaging pharmaceuticals and medical products, the innovative solutions from the Romaco is ahead of the field. The international group of companies based in Karlsruhe, Germany, employs approximately 500 associates at its 8 sites and is represented by more than 100 agents worldwide.

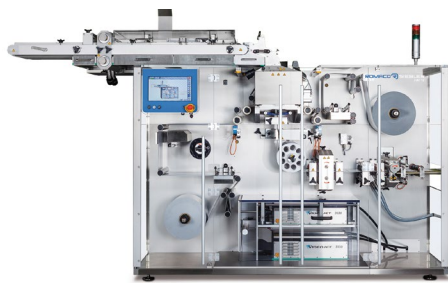
The Romaco Siebler product line includes strip packaging solutions, which are typically used to package tablets, capsules, sodium products, diagnosis strips, and pre-filled syringes.

Read on to find out why Romaco Siebler opted for laser coders from Videojet and why Videojet is the first choice provider at Romaco when it comes to coding solutions.





Packaging specialist Romaco has been working with Videojet for over 5 years. Romaco selected Videojet because of the wide range of coding solutions available, as well as the reliability offered by the Videojet worldwide service network. The skilled and personal guidance from Videojet resulted in a close working partnership, enabling innovative solutions with added value for Romaco.



“The entire package from Videojet is simply coherent – from the quote, to the pharmaceutical industry-compliant documentation, through to the worldwide service”, Product Manager Martin Grau explains about the long-term business partnership. “Various coding options are evaluated and tested for each area of application”, continues Grau. In the case of the Siebler HM 1 strip packaging machine series, Romaco has opted for four Videojet 3330 model CO<sub>2</sub> lasers.



“We code batch numbers and best before dates on flexible aluminium foils. The laser is our top solution here. Compared to other coding systems we’ve used, it is very low maintenance and needs virtually no consumables. This results in maximum uptime of the entire system, which in turn helps our customers to reduce costs”, Grau states.

Nevertheless, even customers who prefer alternative coding solutions do not need to miss out on the consistent Videojet quality. If so desired, Videojet coding solutions such as continuous inkjet, thermal transfer or thermal inkjet can be integrated into the Siebler HM 1 from Romaco at any time.

**“The entire package from Videojet is simply coherent.”**

Martin Grau,  
Product Manager, Romaco



### Perfect integration of the laser systems

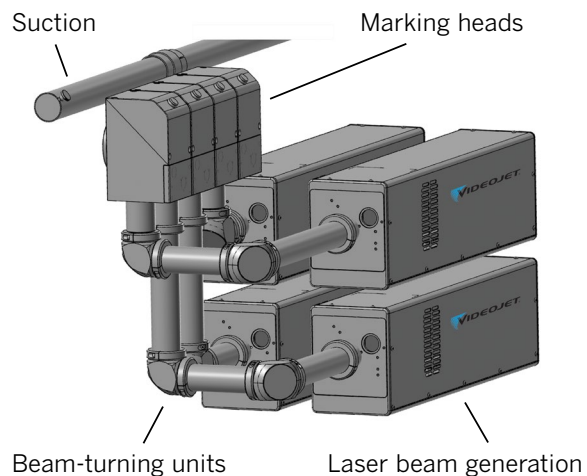
“The extensive range of accessories, such as beam turning units and marking heads, helps us to perfectly integrate the four Videojet CO<sub>2</sub> lasers into our strip packaging machines of type HM 1. In fact, you need to have a real good look inside to be able to see the laser coder from Videojet”, explains appointed Romaco design engineer, Lothar Laengle. In addition to the physical integration, the HM 1 controller software from Romaco Siebler was also integrated. In standard operation, the lasers are operated via the Videojet panel.

In the case of Romaco, the controller is integrated into the control panel for the packaging machine. The now uniform input screens and various authorization levels make operation easy and thereby reduce human error. In addition, the range of machine components is also streamlined.

Romaco and Videojet intend to further develop the solid relationship they have established so far. In fact, talks are currently underway regarding further developments and future trends.



### Romaco integration of four Videojet 3330 laser systems

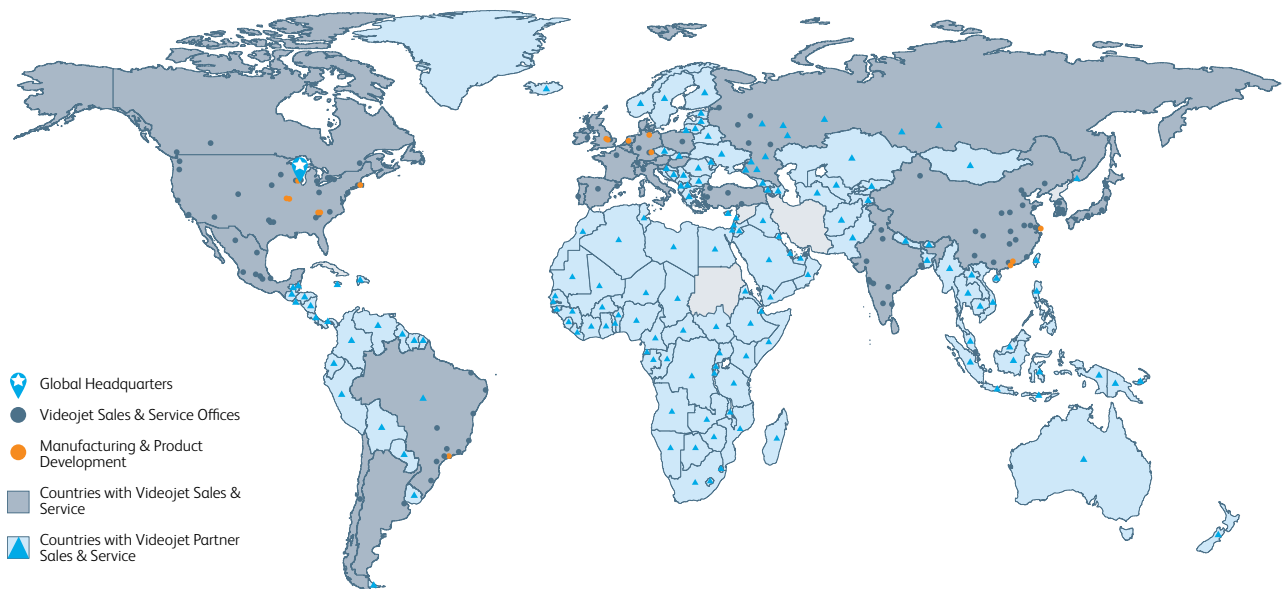


# Peace of mind comes as standard

Videojet Technologies is a world leader in industrial coding and marking solutions with a dedicated global pharmaceutical team supporting organisations and supply chain partners with solutions, certifications and fast, reliable service. A product portfolio including thermal inkjet, laser marking, continuous inkjet and labelling provides consistent, high-quality serialisation and traceability codes, helping the pharmaceutical and medical device industries safeguard their products against counterfeiting and protect consumer safety. With a wide range of technologies addressing virtually any application, Videojet is the expert in realizing the specific requirements of a wide range of healthcare applications.

With decades of knowledge, Videojet Technologies' expertise in industry standards and global regulations makes them the right partner for understanding complex coding needs. Videojet solutions code 10 billion products a day worldwide, playing a

vital and responsible role in the world. With over 3,500 associates serving 135 countries, Videojet has the capability to provide local service through global resources.



Call us free on: **0800 500 3023**  
Email **uksales@videojet.com**  
or visit **www.videojet.co.uk**

Videojet Technologies Ltd.  
4 & 5 Ermine Centre, Lancaster Way, Huntingdon,  
Cambridgeshire PE29 6XX / UK

© 2016 Videojet Technologies Inc. — All rights reserved.  
Videojet Technologies Inc.'s policy is one of continued product improvement.  
We reserve the right to alter design and/or specifications without notice.

